



FROMM | WRAPPING
SYSTEMS

FS390 Series
Stretch Wrapping Machines
400% Power Pre-Stretch

Standard technical specifications

Turntable

Ø 1.650mm / Ø 1.800mm / Ø 2.200mm

Maximum pallet format

1.100 x 1.200mm for Ø 1.650mm
1.250 x 1.250mm for Ø 1.800mm
1.550 x 1.550mm for Ø 2.200mm

Maximum pallet weight

2.000kg

Maximum pallet height

2250mm / 2500mm / 2800mm / 3050mm

Power supply

1 phase 200-240 V – 50/60 Hz

Extremely complete standard version, including

- soft start and soft stop in 0 position;
- audio signal at start of wrap cycle;
- adjustable bottom wraps;
- adjustable top wraps;
- photo-electric cell for automatic height detection;
- adjustable (frequency-controlled) turntable speed;
- adjustable (frequency-controlled) upward/downward speed of the film carriage;
- adjustable (frequency-controlled) first/second pre-stretch motor;
- counter for number of wrapped pallets per program;
- counter for metres of used stretch film per program;
- counter for meters of used stretch film in manual mode;
- counter for total number of wrapped pallets for maintenance purposes;
- easy to operate integrated touch button control panel, based on microprocessor, for adjustment of parameters and previously set wrapping programs. Graphic display, with icons for an easy functions learning;
- Zero position at 90, 180 or 270 degrees;
- Hinged column diagonal fixed, easy installation, space saving solution (FROMM PATENT);
- Belt driven carriage with safety system to prevent accidental falling.

Moving the machine

Easy to move using a forklift truck.



A brief list of the benefits

- easy to operate and extremely flexible wrapping programs make this machine suitable for almost all pallet formats and loads imaginable;
- wrapping can even start at turntable level (automatically adjustable);
- thanks to the FROMM Ultra-Fast changing system, changing the film roll within several seconds is a piece of cake. Open the door, remove the empty roll, place the new roll, close the door and off you go;
- the 2-Motor pre-stretch unit makes it possible to realise more than 400% pre-stretch (1 metre becomes 5 metres);
- using the easy to operate integrated touch button control panel, it is possible to set up any wrapping program you wish;
- by blocking these settings through a password, ensures that every type of pallet is wrapped in the most economical manner again and again;
- adjustable pallet foot program for extra fixation of goods on the pallet;
- adjustable banderol program for extra fixation of goods on different heights;
- low-maintenance machine with the usual high FROMM quality;
- the design fully complies with all current European quality and safety standards, including CE.

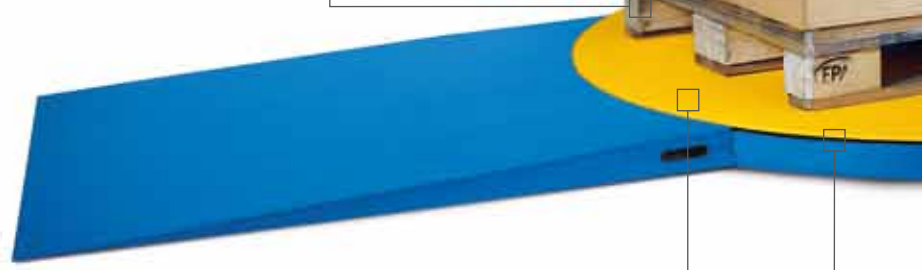
Low bottom wrapping at turntable level

The lowest position of the film carriage is easy to set. It can even start wrapping at turntable level. In this case the pallet will be fully wrapped with the product at the same time.



Options

- pallet height 2250mm/2500mm/2800mm/3050mm
- turntable Ø1.800mm;
- turntable Ø2.200mm;
- open turntable (horse shoe) Ø1.650mm;
- turntable with integrated weighing system Ø1650mm / Ø1800mm;
- film cutting unit;
- top pressure plate;
- remote control;
- access ramp;
- access ramp for electric pallet truck;
- frame for submerged floor mounting;
- photoelectric cell for black film and black product;
- Electric panel heating kit for working with low temperatures.

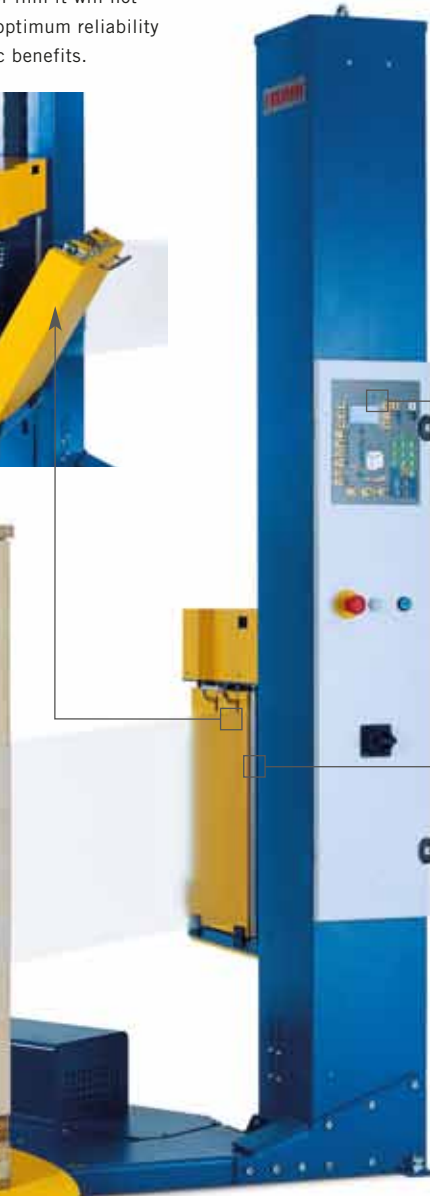


Space saving open turntable

The optional open turntable makes loading with a hand pallet truck easy, specially where floor space is limited. Equipped with an integrated walk-on safety device.

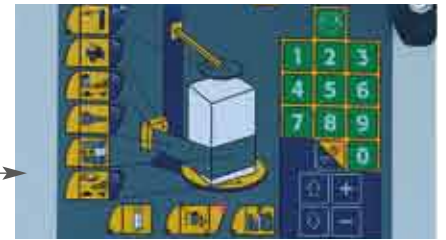
2-Motors Power Pre-Stretch unit

The motorised 2-Motors Power Pre-Stretch unit is easy to operate from the touch button control panel, realising a pre-stretch between 100% and 400%. High pre-stretch reduces film consumption, enabling you to achieve the best results at the lowest possible costs with optimal pallet stabilization and product protection. Even in case of extremely sharp pallet corners, the machine can be set up in such a way that also with an average quality of film it will not tear or brake. Thus ensuring optimum reliability in combination with economic benefits.



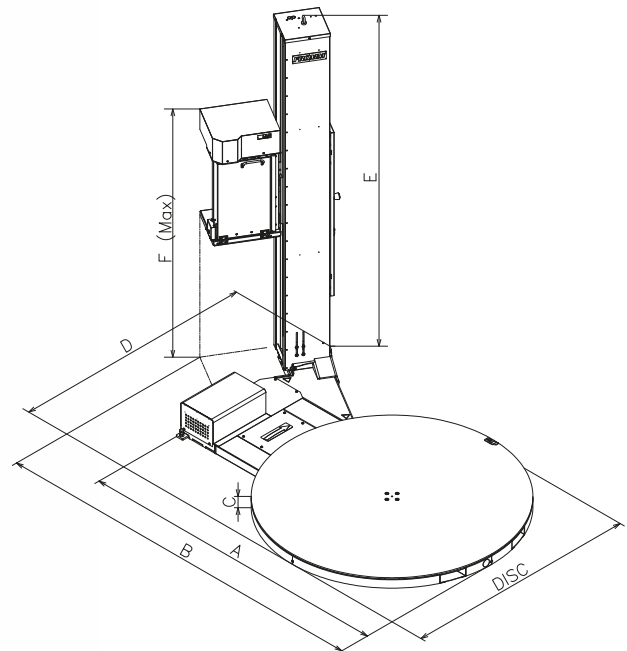
Integrated easy to operate touch button control panel with security code lock and graphic display to adjust

- 30 Programs direct selectable (Green buttons);
- Blocking of parameters possible;
- film tension at 4 places;
- pre-stretch at 4 places;
- turntable speed at 4 moments;
- number of bottom/top wraps;
- upward/downward speed of film carriage;
- electronic photocell for pallet high detection and overlap at pallet top calculated in cm;
- pallet foot program;
- banderol heights to wrap extra layers of film if necessary;
- free programming of 30 wrapping programs, 4 special functions of 11 selectable per program;
- multi-layer program;
- easy to read error code trough graphic symbols.



Ultra-Fast film change

Changing the film roll and feeding the film through is so easy that anyone can do it within seconds.



DISC	Ø1500	Ø1650	Ø1800	Ø2200
A	2065	2225	2375	2775
B	2535	2695	2845	3245
C	73	75	75	75
D	1634	1714	1789	1989

H Max FILM	2250	2500	2800	3050
E	2237	2487	2787	3037
F	2540	2790	3090	3340

**FROMM FS390
Stretch Wrapping
Machines**

Semi-automatic stretch wrapping machines with 30 wrapping programs, equipped with a 2-Motors Power Pre-Stretch system.



Development centre in Germany



Production centre for machines and equipment in Italy



Production centre for STARstrap™ strapping in Thailand



Productions centre for STARstrap™ strapping in Germany



Productions centre for STARstrap™ strapping in Chile



Polyester recycling plant in Germany

FROMM Group

Established in 1947, the Swiss family business generates a turnover in excess of 180 million Euros and employs a workforce of 900 people worldwide. More than 40 subsidiaries in Europe, North and South America, South Africa, Asia and Australia, along with a multitude of specialized sales partners throughout the world ensure - in your vicinity - professional advice, prompt customer service and maintenance. The company pursues a policy of logical vertical integration while upholding traditional values, which are the reasons for decades of success.

Development centre

In the FROMM development centre, a long established and experienced team of engineers constantly develops new techniques and products using the very latest 3D CAD systems. Up-to-date test procedures guarantee the high FROMM quality standards.

Production centres for machines and equipment

Production takes place round the clock in the FROMM production centres. Highly qualified teams of specialists manufacture FROMM products satisfying the highest demands of quality on computer-controlled machines. All machines are tested before leaving the factory. The company has ISO 9001 certification.

Production centres for polyester plastic strapping and multilayer blown films

STARstrap™ plastic strappings are produced in the FROMM production centres exclusively from recycled polyester bottle material on modern state-of-the-art extrusion plant. These bands guarantee the high quality of the strapping carried out with FROMM machines and equipment. All kinds of film types for the Airpad pillow material are produced on blown

film extrusion machines. Special film types guarantee a high loading capacity of the individual pillow elements. The plants are certified in accordance with ISO 9001 and ISO 14000.

Polyester recycling plant

Produced in the FROMM recycling plant from used PET bottles is high grade ground material, agglomerates and regranulates for the production of PET strapping, foodstuff films, textiles and drink bottles. This enables FROMM PET products to satisfy the most rigorous ecological requirements. The plant is certified in accordance with ISO 9001 and ISO 14000.

FROMM stands for development, production, consultancy, sales and service – worldwide and from a single supplier!

Benefit from our expertise!

