

Compact mobile bin with articulated arm and pad holder for decentralized packing stations

**Characteristics**

Simple and compact solution for effective integration

- Accessory for the Airpad models AP100-200, AP100-400 and AP100-V2
- Basic design, very cost effective
- Fast assembly with only one tool and easy installation

Universal, mobile solution:

- Ideal for decentralized or remote pack stations
- 4 wheels (2 with brackets) for mobile use
- Useable for all Airpad formats, 200mm and 400mm wide films

Ergonomic solution:

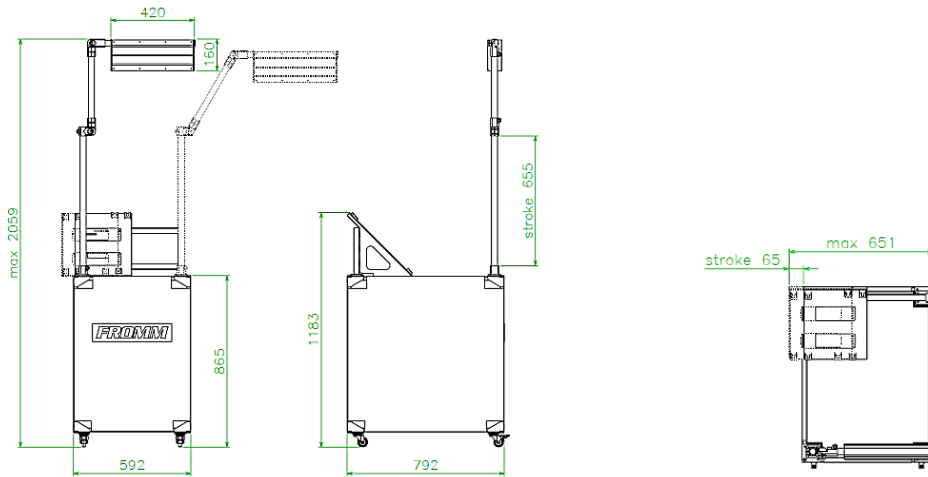
- Easily adjustable location of the pad holder, not tools needed, for optimum operator comfort and productivity
- Articulated arm and pad holder useable on the two sides
- Could serve two pack stations with a second articulated arm and pad holder (in option)
- Automatic replenishment of the bin
- Sensor embedded in the machine for easy installation and reliable operation

Technical specifications

Bin dimensions: Height: 865 mm
 Width: 586 mm
 Depth: 792 mm

Pad holder height: 1.324 - 1.979 mm (adjustable with no tools)

Technical drawings



Applications



**Pad holder
with 200mm film**



**Pad holder
with 400mm film**



Easy to adjust and lock

Types and codes

50.2119	Compact mobile bin
AP1.0809	Additional articulated arm with pad dispenser